



Oberflächenveredelung GmbH

ENVIRAL® Oberflächenveredelung GmbH · Altdorfer Weg 6 · D-14823 Niemege

Wir danken für Ihr Vertrauen!

Altdorfer Weg 6 | info@enviral.de
D-14823 Niemege | www.enviral.de

Telefon +49 (0) 33843 642-04

Telefax +49 (0) 33843 642-24

kostenlose Servicenummer
0-800/ENVIRAL 0-800/368 47 25

All technical recommendations for application we give to our clients to the best of our knowledge and according to the state of the art are not binding. According to our General Terms and Conditions of Business they do not establish any contractual legal relationship and no ancillary obligations resulting from the purchase contract. This does not release the client from his/her own responsibility to check our services, products and recommendations with regard to their suitability for the intended use. Our General Terms and of Business apply, which you can view at any time at www.enviral.eu.

DATA SHEET

ENV 800 - Suspension recommendations for elements to be coated by ENVIRAL® Oberflächenveredelung GmbH

The parts to be coated must be designed to withstand temperatures of up to 200°C and be dimensionally stable.

The design of metal sheets and bendings (facade) is subject to structural criteria, whereby standard strength guidelines must be complied with. In detail, this means that window sills, facade sheets and also attic sheets should not be less than 3mm thick in order to ensure sufficient stiffness.

For the proper processing of the material, suspension and contact holes as well as drain holes are necessary. In case this preparation is not undertaken by the customer, it will be carried out by ENVIRAL® and charged according to the actual effort involved.

Drilling recommendations are included on the attached sketches.

Large and heavy-duty parts can be placed on fixtures (e.g. IPE steel beams). The points of support are not powder-coated, but are repaired after coating.

03 / 2022

ENV 800 / page 1

Geschäftsführer Ing. Rainer Rogovits
Amtsgericht Potsdam HRB 7819
Ust.-IdNr. DE 166554396
St.-Nr. 048/108/03245

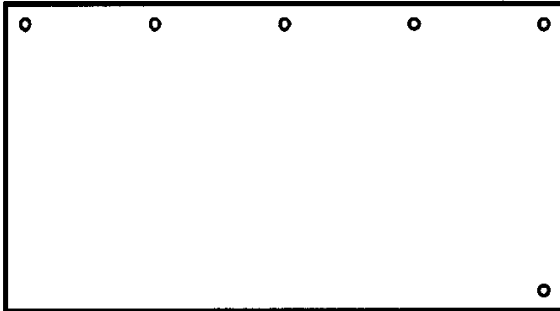
Bankverbindungen Berliner Sparkasse · BIC BELADEBEXX
IBAN DE79 1005 0000 6610 0036 86
VR-Bank Fläming eG · BIC GENODEF1LUK
IBAN DE37 1606 2008 4105 6930 00



Suspension and contact holes, drain holes:

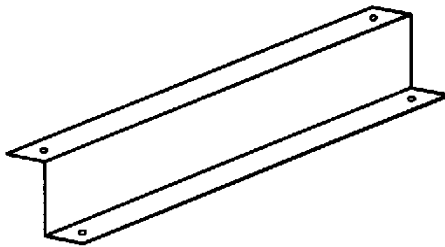
1. Plain sheets

Hole spacing maximum 1000 mm

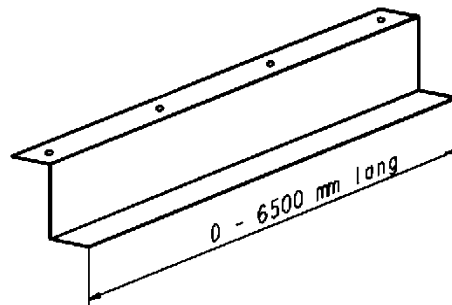


2. Folded sheets

Hole spacing maximum 1000 mm



Hole spacing maximum 1000 mm



3. Drain holes

Drain holes for the pretreatment chemistry to drain out

